

Installation Guide



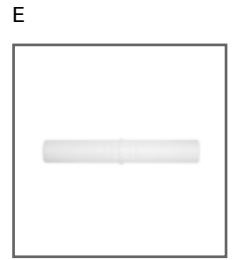
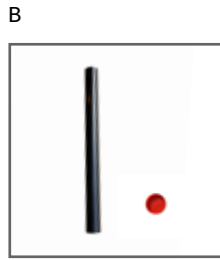
Housebuilder Flagpole - Standard 2 Piece Swivel Arm - Ground Sleeve

6m

Housebuilder Flagpole - Standard 2 Piece Swivel Arm - Ground Sleeve

Parts Checklist

- A 1 x Aluminium Powder Coated Pole (6m) **Or**
1 x Glassfibre Pole (6m)
- B 1 x Ground Sleeve & Cap
- C 1 x Banner Arm
- D 1 x Swivel Top
- E 1 x Bob Weight (671g)
- F 1 x Tek Screw
- G 1 x Carabiner Clip

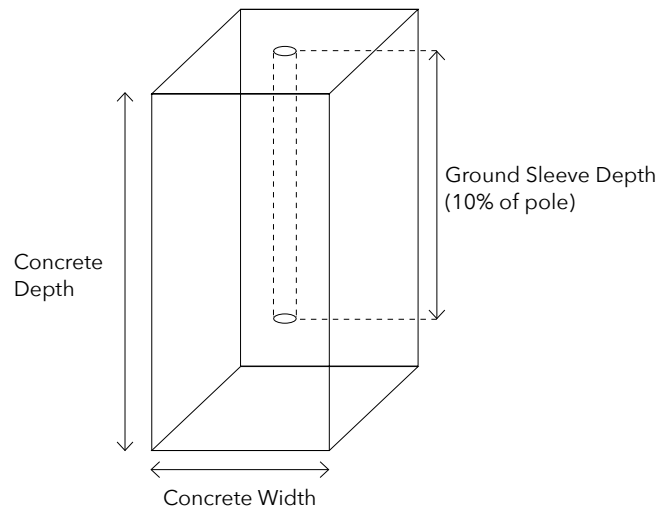


Housebuilder Flagpole - Standard 2 Piece Swivel Arm - Ground Sleeve

Step 1

- » Dig foundation to required size see diagram (larger if ground is very sandy).
- » Order / mix concrete and place into hole (25 - 30 Newton - 50 slump - 20mm aggregate).
- » Ensure cap is fitted to ground sleeve to stop concrete from filling the sleeve.
- » Insert ground sleeve vertically into concrete, capped end first. Use spirit level to ensure ground sleeve is vertical. You may prefer to hold the ground sleeve in position with weighted cross batons.
- » Leave foundation to set for several days.

Ground Sleeve Installation - See Below (Flagpole Dimensions)



Flagpole Dimensions	
Appearance	Cylinder
Material	Aluminium / Glassfibre
Flagpole Length (m)	6
Butt Diameter Ø (mm)	60
Top Diameter Ø (mm)	60
Colour	White
Sections (pieces)	2
Recommended Flag Size (mm)	1000 x 2000
Base Fixing	Ground Sleeve
Foundation Required (w2 x d) (mm)	500 x 1000
*Maximum Wind Speeds (mph Flagged)	30

NB: We recommend that the concrete used in the bases should be of a C30 quality as normally purchased from a ready mixed concrete supplier. If purchaser is to mix concrete up themselves then the ratio of the mix i.e. Cement/Sand/Fine Aggregate must 1:2:3 which results in a very strong mix. Any deviation from the above advise may result in warranty claims being invalid. If in any doubt please contact supplier for clarification.

Housebuilder Flagpole - Standard 2 Piece Swivel Arm - Ground Sleeve

Step 2

Remove bolts and nuts from swivel top and insert banner arm lining up the pre-drilled holes.



Step 3

Insert joint into bottom pole section and slide up to shoulder. Insert top section onto the joint and slide up to the shoulder.



Step 4

Place bolts through pre-drilled holes, ensuring the holes in the banner arm are lined up with the holes in the swivel top, tighten nuts.



Step 5

Slide the sleeve on the flag to the end of the banner arm. Ensuring the flag fixings are closest to the pole. Your flag will need a flat sleeve size of at least 8cm.



Step 6

Using the carabiner provided, attach the bob weight to the bottom eyelet on the flag then Slide bob weight over the top of the pole.



Step 7

Flag with mastbands:

Mastbands will need to be at least 18cm flat. Slide the bob weight onto the pole followed by the mast band loops.



Flag with eyelets:

Wrap plastic pole ties around the pole, through remaining eyelets and secure together. Once loops are securely attached, slide the bob weight onto the pole followed by the plastic loops.



Housebuilder Flagpole - Standard 2 Piece Swivel Arm - Ground Sleeve

Step 8

Slide black socket into the top of the pole.



Step 9

Secure the swivel arm to the flagpole by creating a hole in the pole using the tek screw. Align the hole in the black socket with the hole in the pole and secure.

(To erect the pole, slide the assembled pole into the ground sleeve once the concrete has completely set.)

