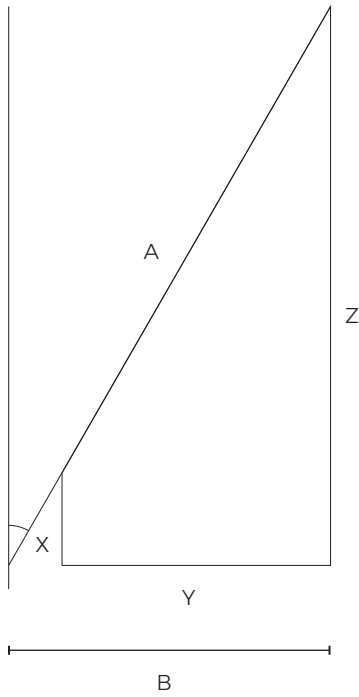


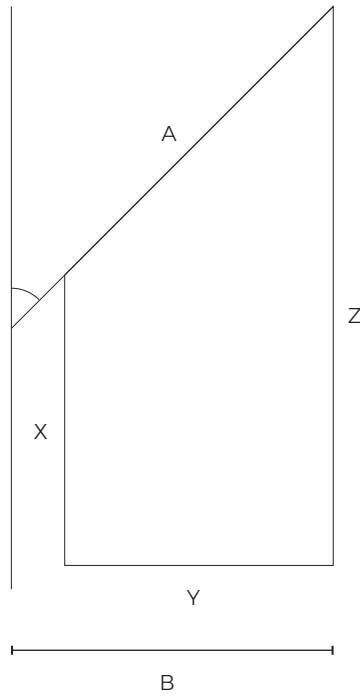
ANGLED FLAGPOLE & ANGLED FLAG HEAD OPTIONS



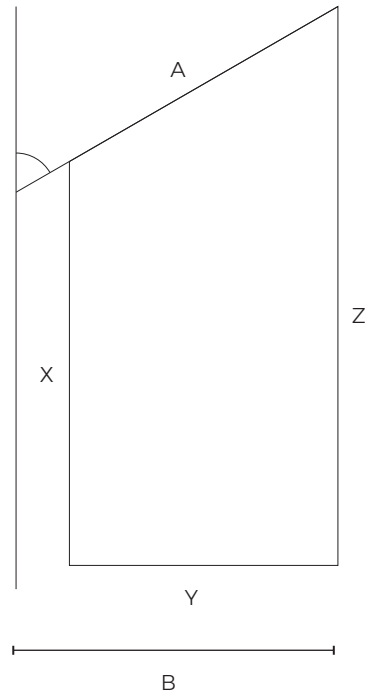
30° Angle



45° Angle



60° Angle



Pole Size 'A'	Angle	Flag Size 'X'	Flag Size 'Y'	Flag Size 'Z'	Horiz Dist 'B'
2m 60mm Aluminium	30	0.78	0.69	1.97	1.73
2m 60mm Aluminium	45	1.03	0.69	1.71	1.41
2m 60mm Aluminium	60	1.17	0.69	1.57	1
3m EHD Glassfibre	30	1.13	1	2.87	2.6
3m EHD Glassfibre	45	1.5	1	2.5	2.12
3m EHD Glassfibre	60	1.71	1	2.29	1.5
3m HD Glassfibre	30	0.68	0.91	2.26	2.6
3m HD Glassfibre	45	1.17	0.91	2.08	2.12
3m HD Glassfibre	60	1.45	0.91	1.97	1.5
4m EHD Glassfibre	30	1.42	1.25	3.58	3.46
4m EHD Glassfibre	45	1.88	1.25	3.12	2.83
4m EHD Glassfibre	60	2.1	1.25	2.86	2
4m HD Glassfibre	30	0.8	1.14	2.78	3.46
4m HD Glassfibre	45	1.42	1.14	2.57	2.82
4m HD Glassfibre	60	1.79	1.14	2.45	2

Please Note: All angled head flags should have anti-furl on the short side and eyelets for the lazy line. All flags should be lowered in winds in excess of 30/35mph.

HD - Heavy Duty EHD - Extra Heavy Duty



Lazy Line

A lazy line is a piece of halyard that connects the wall side of your angled flag to the wall. This then helps to stop the flag becoming tangled around the flagpole.



Anti Furl Bar

An anti furl bar is a piece of wooden dowel that fits down the wall side of an angled flag. This then helps to stop the flag becoming tangled around the flagpole. When using an anti furl bar, a lazy line is also required.