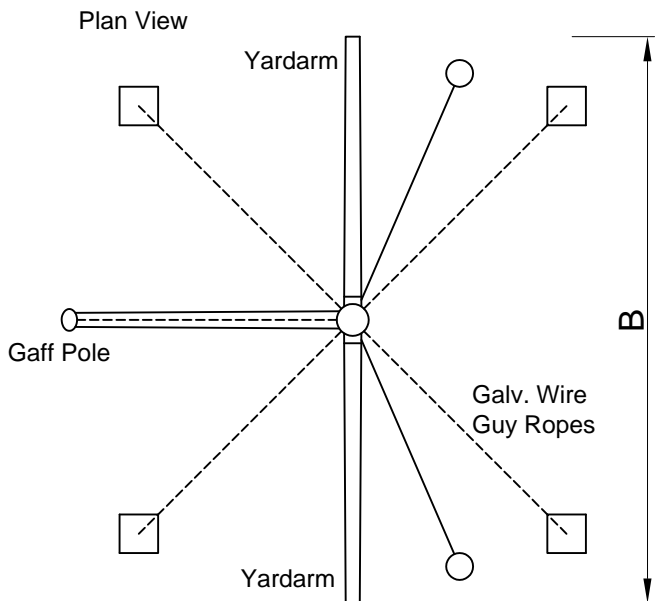
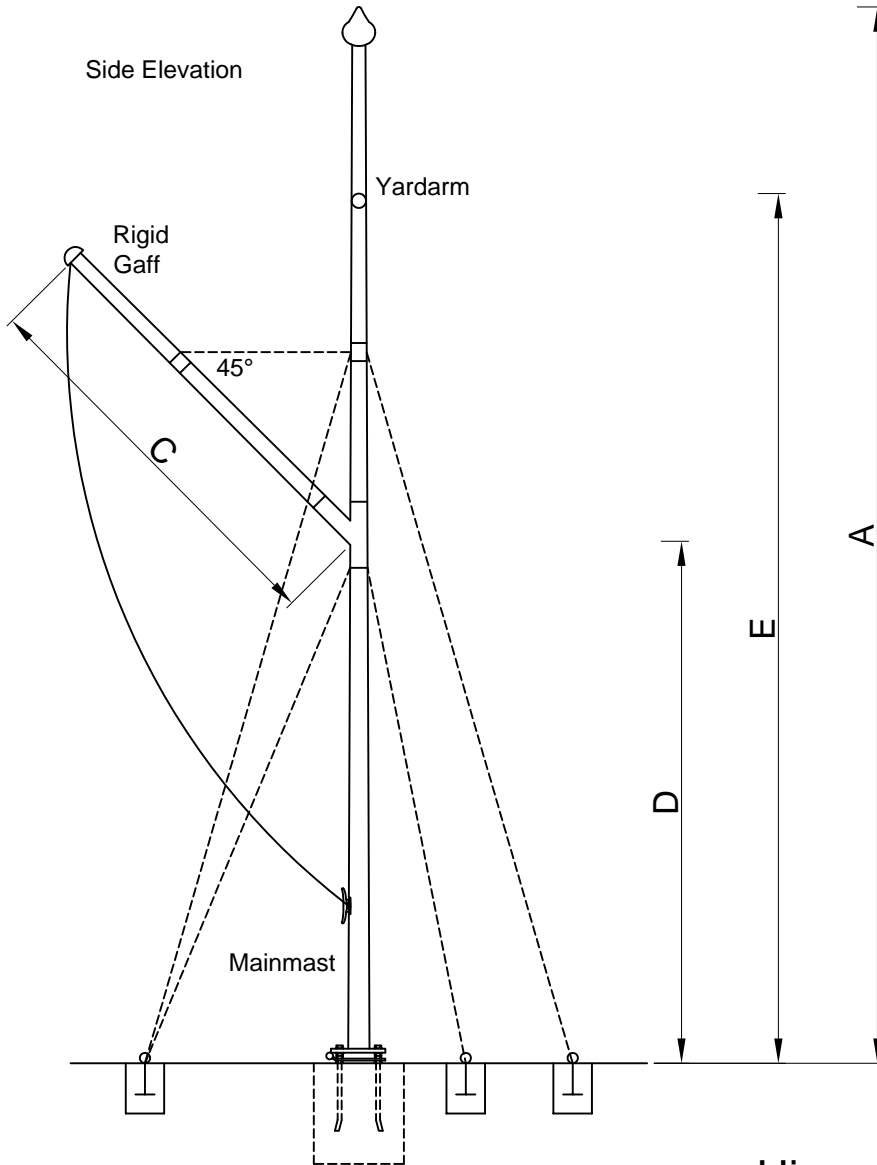


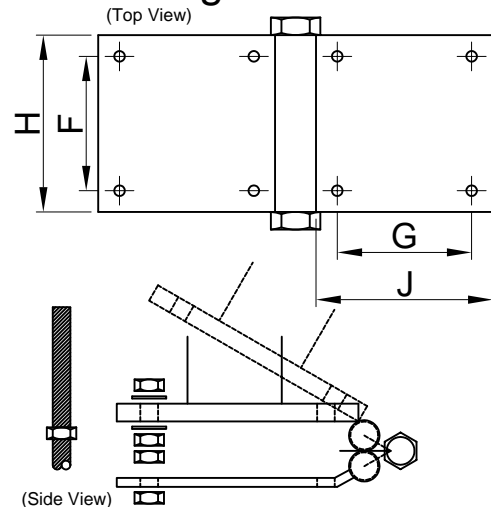


Glassfibre Rigged Flagpoles



8-12m (3 guys 120° pitch) 14-18m (4 guys, 90° pitch)

Hinged Base Plate



10 Year Guarantee offered on the Glassfibre Tube Only.
 For Dimensions & Guarantee see Page 6a



Glassfibre Rigged Flagpole Dimensions

All measurements in millimetres unless otherwise stated. Special lengths other than those mentioned can be manufactured but are not available ex stock.

		26'3"	29'9"	32'9"	39'4"	46'0"	52'6"	60'0"
Overall Height of Main Mast	A	8m	9m	10m	12m	14m	16m	18m
Overall Length of Yardarm	B	3m	3.5m	4m	4.5m	5m	6m	7m
Length of Gaff	C	2.5m	2.75m	3m	3.5m	4m	5m	5m
Location of Gaff Steelwork	D	4m	4.5m	5m	6m	7m	8m	9m
Location of Yardarm	E	6m	6.5m	7.5m	8.5m	10m	12m	13m
No. of Main Guy Wires	-	3	3	3	4	4	4	4
Dia. of Guy Wires	-	8mm	8mm	8mm	8mm	8mm	8mm	8mm
Guy Wired Construction	-	6/12	6/12	6/12	6/12	6/12	6/12	6/12
Loc. of Wires on Pole from Base	-	4m	4.5m	5m	6m	8.5m	10m	11m
Length of Guys	-	4.5m	5m	6m	6.5m	9.5m	11m	12m
Guy Anchor Foundation (Square)	-	0.5m	0.5m	0.5m	0.5m	0.5m	0.5m	0.5m
Overall Length of Bolts	-	500	500	500	500	700	700	900
Depth of Bolts in Foundation	-	425	425	425	425	610	610	800
Diameter of Foundation Bolts	-	16	16	16	16	20	20	20
Hole Centres	F	135	135	135	135	230	230	230
Hole Centres	G	128	128	128	128	200	200	200
Baseplate Dimension	H	180	180	180	180	280	280	280
Baseplate Dimension	J	180	180	180	180	280	280	280

Glassfibre Flagpole Guarantee

We guarantee that all hinged ground mounted glassfibre flagpoles which have been properly installed according to our instructions will withstand winds of up to 100mph while flying a flag of not more than 25 % of the poles height in length. Damage resulting from vandalism or other hazards are not covered by this guarantee. Freight, fittings, accessories, installation and materials are not covered by this guarantee and are the liability of the client.

When looking at prices between different suppliers, compare the naked flagpole weights quoted.

Lighter poles use less glassfibre and have thinner walls. **They are less durable and are more likely to break.**

Harrisons poles are guaranteed because they use thicker walls and a wider taper.