



External - Hinged Base Plate

Gold Onion
Finial, Fairlead
and Saddle

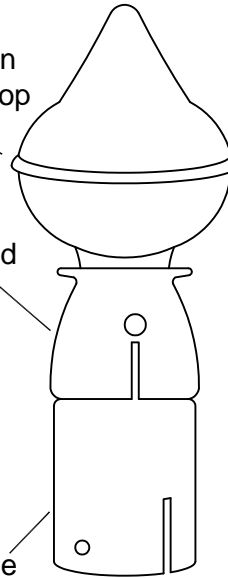


Saddle & Onion Top

Gold Anodized Spun
Aluminium Onion Top

Cast Aluminium
Revolving Fairlead

Plastic Saddle

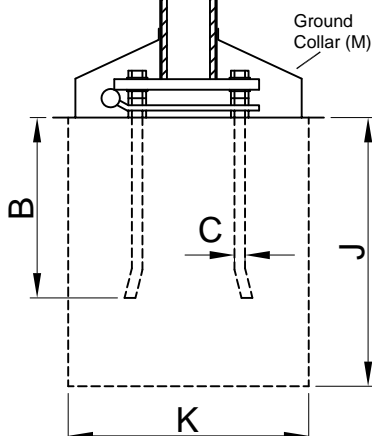
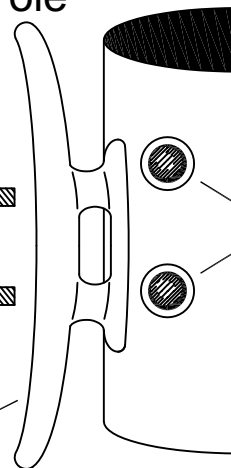


Cleat Against Pole

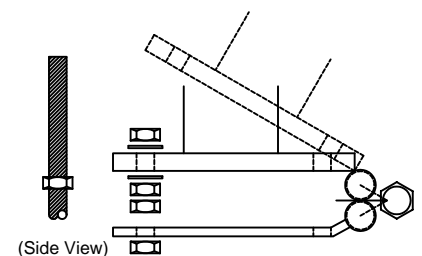
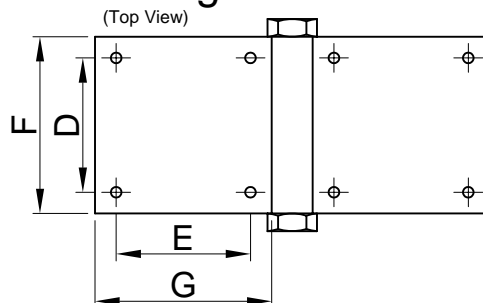
Stainless
Steel Screws

White Plastic
Injection
Mould Cleat

Factory
Installed Rivets



Hinged Base Plate



10 Year Guarantee offered on the Glassfibre Tube Only.
For Dimensions & Guarantee see Page 5a



External - Hinged Base Plate Dimensions

All measurements in millimetres unless otherwise stated. Special lengths other than those mentioned can be manufactured but are not available ex stock.

Dimensions of Basic Flagpole		10'0"	13'1"	16'5"	19'8"	23'0"	26'3"	29'9"	32'9"	36'0"	39'4"	42'8"	46'0"	46'9"	52'6"	55'9"	60'0"
Overall Length of Flagpole	A	3m	4m	5m	6m	7m	8m	9m	10m	11m	12m	13m	14m	15m	16m	17m	18m
Butt Diameter of Flagpole	-	95	100	120	120	120	120	140	140	140	140	190	190	190	190	190	190
Top Diameter of Flagpole	-	65	65	65	65	65	65	65	65	65	65	65	65	65	65	65	65
*Weight of Flagpole (Naked)	-	5kg	6kg	8kg	9kg	11kg	13kg	22kg	24kg	31kg	34kg	60kg	65kg	72kg	75kg	81kg	85kg
Wt of Flagpole with Steelwork	-	-	-	20kg	21kg	23kg	25kg	36kg	38kg	45kg	48kg	100kg	105kg	112kg	115kg	126kg	130kg
Ext.Diameter of Gold Finial	-	120	120	120	120	120	120	120	120	120	120	150	150	150	150	150	150
Maximum Flagsize	-	1.0m	1.5m	1.5m	2.0m	2.0m	2.5m	3.0m	3.0m	3.0m	3.0m	4.0m	4.0m	4.0m	5.0m	5.0m	5.0m
Overall Length of Bolts	-	-	-	500	500	500	500	500	500	500	500	700	700	700	700	900	900
Depth of Bolts in Concrete	B	-	-	425	425	425	425	425	425	425	425	610	610	610	610	800	800
Diameter of Foundation Bolts	C	-	-	16	16	16	16	16	16	16	16	20	20	20	20	20	20
Hole Centres	D	-	-	135	135	135	135	135	135	135	135	230	230	230	230	230	230
Hole Centres	E	-	-	128	128	128	128	128	128	128	128	200	200	200	200	200	200
Baseplate Dimension	F	-	-	180	180	180	180	180	180	180	180	280	280	280	280	280	280
Baseplate Dimension	G	-	-	180	180	180	180	180	180	180	180	280	280	280	280	280	280
Depth of Foundation Slabs	J	-	1000*	1000*	1000*	1000*	1000*	1250*	1250*	1250*	1250*	1500*	1500*	1500*	1500*	1500*	1500*
Width of Foundation Slabs	K	-	500	500	500	500	500	650	650	650	650	750	750	750	750	750	750
Ground Collar - Diameters	M	108 (ID) 385 (OD)		125 (ID) 385 (OD)				145 (ID) 385 (OD)					195 (ID) 445 (OD)				

Please note that the ground collar (M) is an optional extra
 *This assumes clay foundations or similar. If in doubt please consult your architect.

Key: (ID) = Internal Diameter (OD) = Outside Diameter

Glassfibre Flagpole Guarantee

We guarantee that all hinged ground mounted glassfibre flagpoles which have been properly installed according to our instructions will withstand winds of up to 100mph while flying a flag of not more than 25 % of the poles height in length. Damage resulting from vandalism or other hazards are not covered by this guarantee. Freight, fittings, accessories, installation and materials are not covered by this guarantee and are the liability of the client.

When looking at prices between different suppliers, compare the naked flagpole weights quoted.

Lighter poles use less glassfibre and have thinner walls. **They are less durable and are more likely to break.**

Harrisons poles are guaranteed because they use thicker walls and a wider taper.